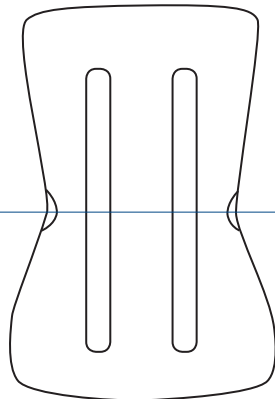
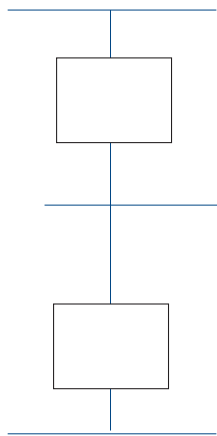


Boston Brace Soft Body Jacket

STAY CHART

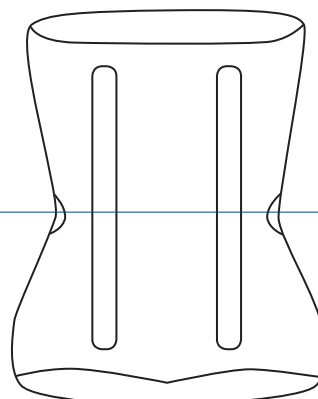
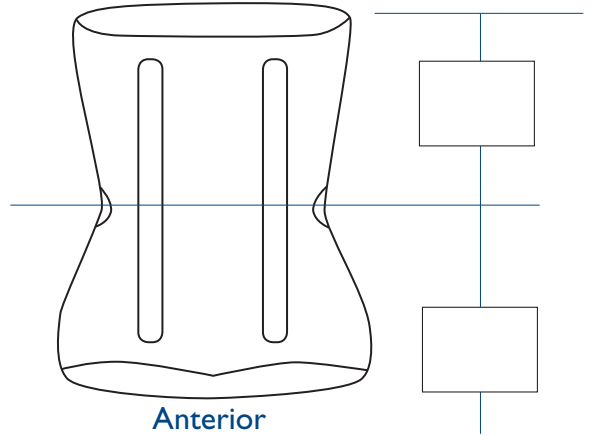
Only use this chart if you order permanent stays

Stay length in cm



Waist

Stay length in cm



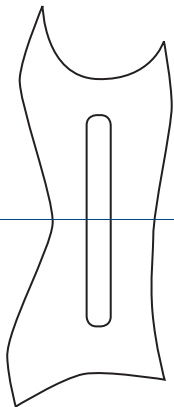
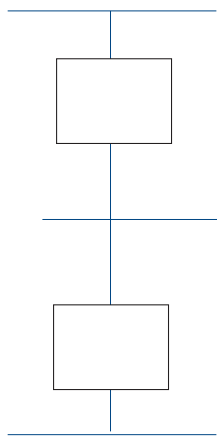
Stay length in cm

Posterior
Stay width:
25mm
38mm
50mm

Anterior
Stay width:
25mm
38mm
50mm

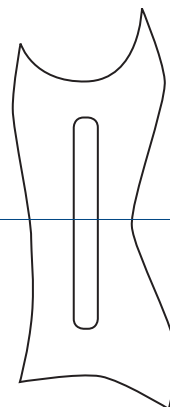
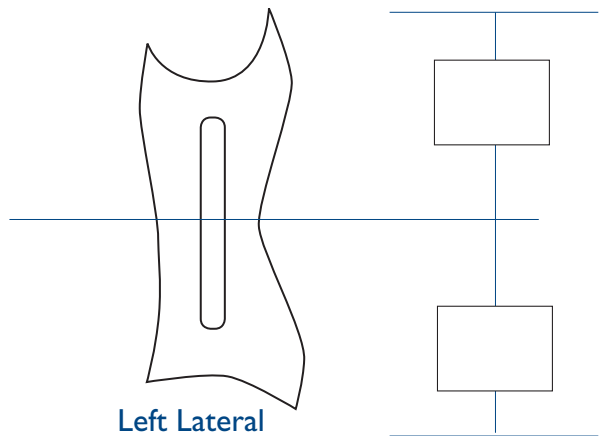
Stay length in cm

Stay length in cm



Waist

Stay length in cm



Stay length in cm

Right Lateral
Stay width:
25mm
38mm
50mm

Left Lateral
Stay width:
25mm
38mm
50mm

Stay length in cm

Order # _____

Patient ID _____

Stay Size _____

Approved By _____

Date _____

Opening

- Anterior Bi-Valve
Posterior Butting Overlap
Left Lateral Smooth Overlap
Right Lateral